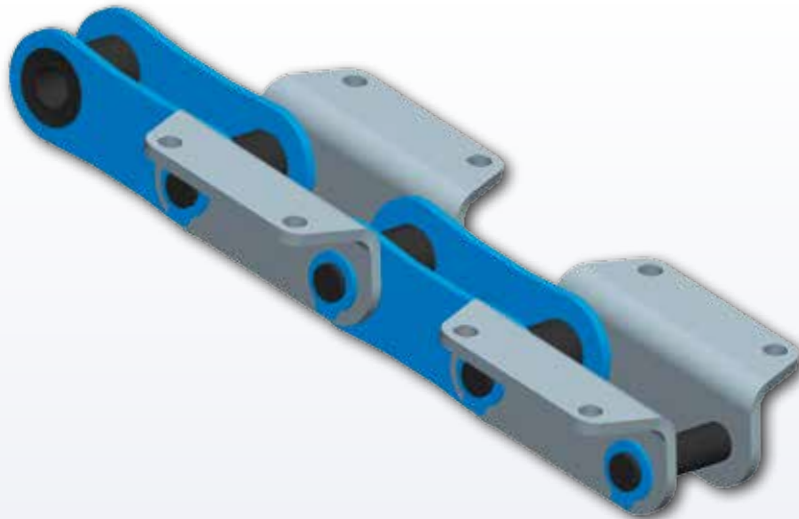
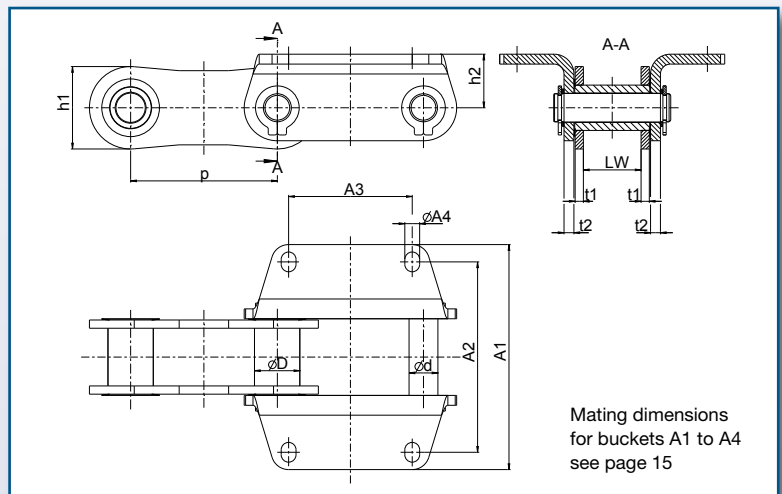


THIELE HLB bucket elevator chain

THIELE HLB



THIELE HLB high-performance bucket elevator chains are the result of years of specialist operating experience. State-of-the-art material developments and FEM analysis methods are used in the design of the various components.



Chain	F_{Br} [kN]	p [mm]	LW [mm]	d [mm]	D [mm]	t_1 [mm]	t_2 [mm]	h_1 [mm]	min. h_2 [mm]	Weight [kg/m]
HLB 45	450	140,0	50	25	40	8	8	75	50	23
HLB 65	650	152,4	65	30	45	10	10	85	60	31
HLB 80B	800	152,4	70	35	55	10	12	100	65	50
HLB 80A	800	177,8	70	35	55	10	12	100	65	46

F_{Br} = breaking strength d = pin diameter t_1 = thickness of inner link h_1 = height of inner link
 p = pitch D = bush outer diameter t_2 = thickness of outer link min. h_2 = bucket connector height
 LW = clearance